

Laser Defender LD204S™

Intrusion Detection Laser Scanner



The Laser Defender LD204S is an indoor IP/PoE laser scan detector providing 20 x 20 m vertical or horizontal detection area. The LD204S protects assets, equipment, walls, and ceilings by creating an invisible laser wall and detecting any intrusion breaching. It's compact, cosmetic and versatile design makes it very easy to install and covers many different configurations. In addition to dry contacts, the LD204S generates an Event Code (ASCII format) that is already integrated with most VMS platforms. Not impacted by any lighting conditions, the LD204S can act as a trigger to enhance video surveillance or a wide range of security solutions.

Features

20 m x 20 m (65 ft. x 65 ft.), 95-degree detection area

Vertical and Horizontal detection modes

Multi-angle Adjustment Shell Structure (M.A.S.S.)

The Laser Defender LD204S series is a next generation short range laser scan detector that provides accurate motion detection for indoor security applications.

Innovative Compact Design: Suitable for design-centric applications.

Flexible Mounting Options: Its multi-angle adjustment and mounting options are scalable across a range of security applications providing flexibility and ease of installation.

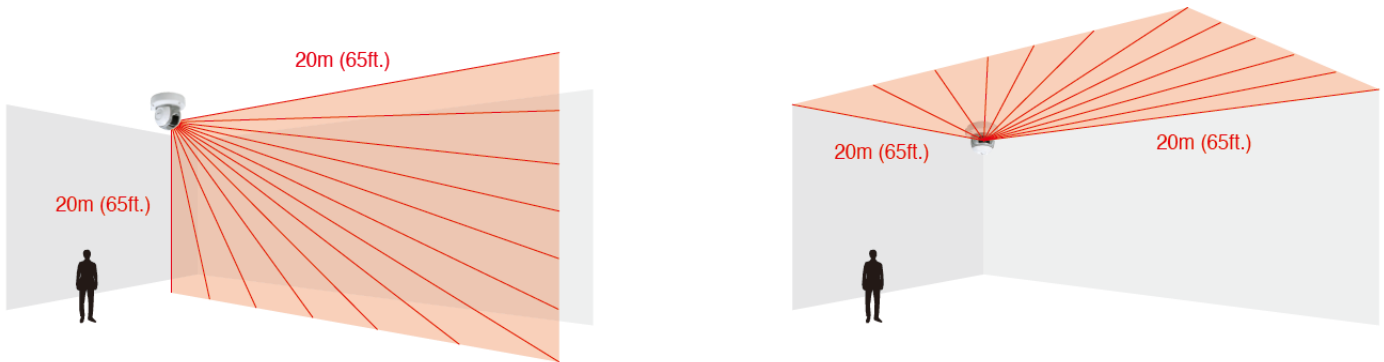
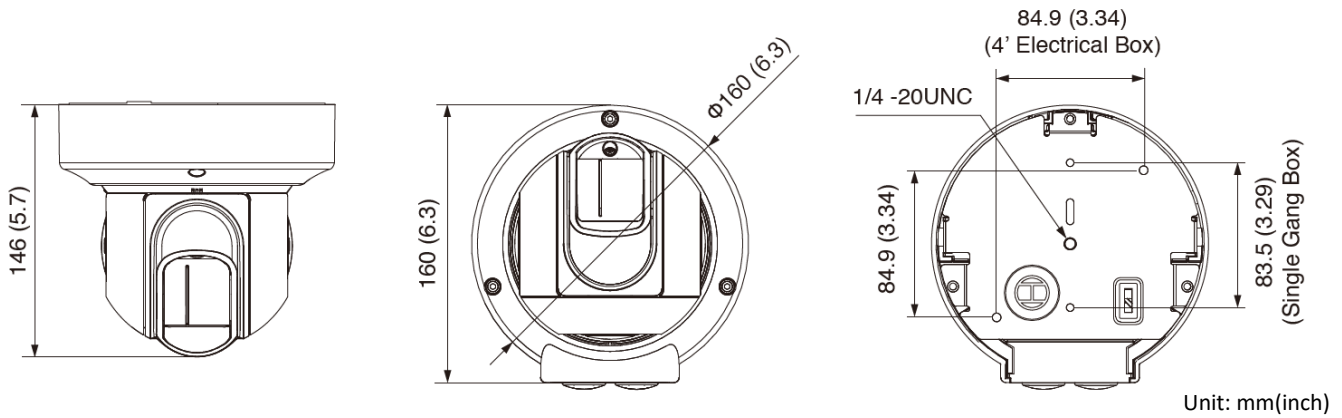
High Speed and Resolution Detection: Provides pin-point detection of small objects in indoor applications complementing camera driven motion detection.

Included Utility Software: Streamlined for easy and flexible settings. It also comes with multiple security detection modes for enhanced motion detection.

IP Integrated: Can be used as an analog or IP device. It is PoE enabled requiring only six watts of power and can be integrated with popular VMS, NVR and PSIM.

Elevate IP Video Surveillance and Detection: Use the LD204S to trigger cameras and motion-based events that work in the dark and in tough lighting conditions challenging to video driven motion detection.

LD204S DIAGRAM



LD204S PRODUCT SPECIFICATIONS

Power Input	10.5 to 30 VDC, PoE (IEEE802.3 af/at compliant)
Alarm Output	3 outputs, 28 VDC 0.2A max. N.O./N.C. Selectable (3 from Master alarm, Zone outputs, Trouble, Tamper)
Current Consumption	500 mA max. (12 VDC), 250 mA max. (24 VDC), 6W max. (PoE)
Operating Temperature	-40 to 60 C degrees (-40 to 140 F degrees)
Technology	Laser
Wiring	<ul style="list-style-type: none"> • PoE • Wired
Installation	<ul style="list-style-type: none"> • Government • Military
Tamper	Yes
Zone	Interior
IP rating	IP-66
Dimensions	146 x 160 x 160 mm (5.8 x 6.3 x 6.3 inch)
Mount	Ceiling mount, Wall mount, Tripod mount, Recess mount (Option)

For more information, contact us at
info@fibersensys.com
 Tel: +1(503)692-4430
 Toll free (US) +1(888)736-7971
www.fibersensys.com

Fiber SenSys 

High Performance - High Reliability - High Security