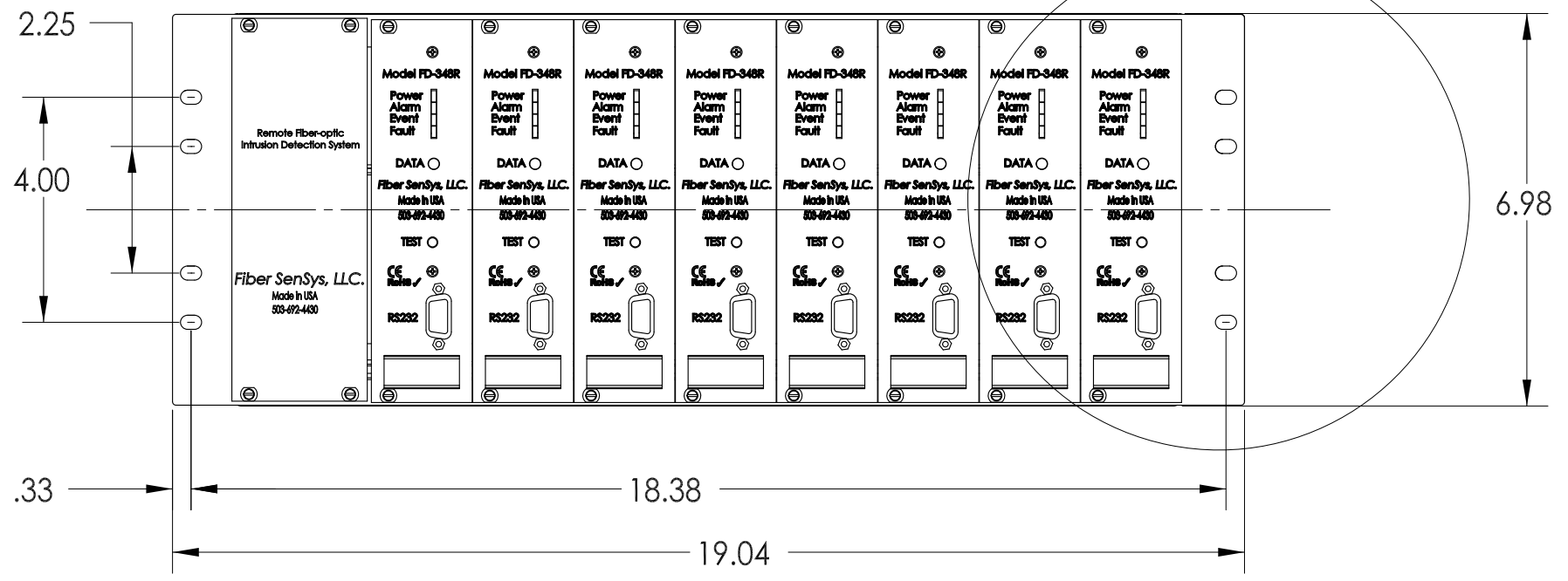
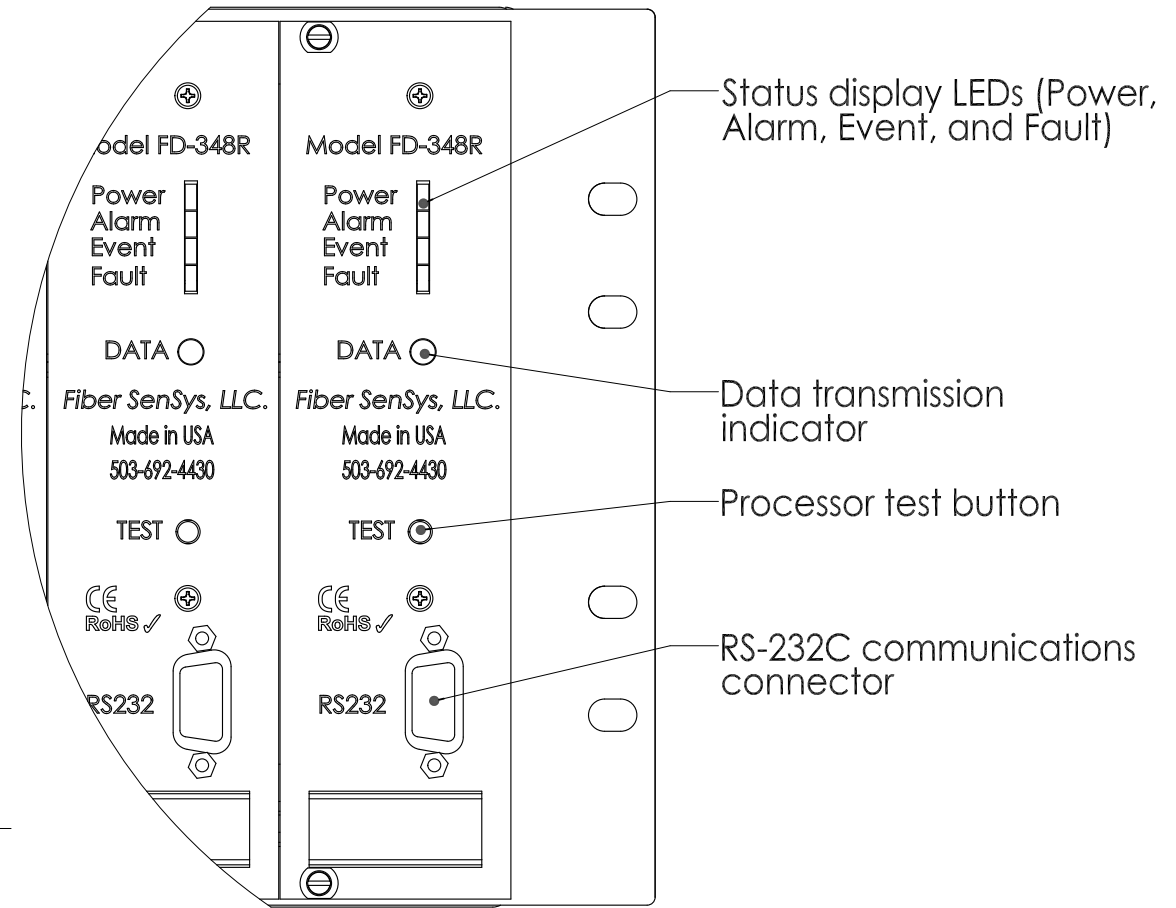


REVISIONS				
ZONE	REV.	DESCRIPTION	DATE	APPROVED
	01	INITIAL RELEASE	2/17/2010	
	02	Added Ethernet Note, changed drawing number	10/31/2012	D. Felch



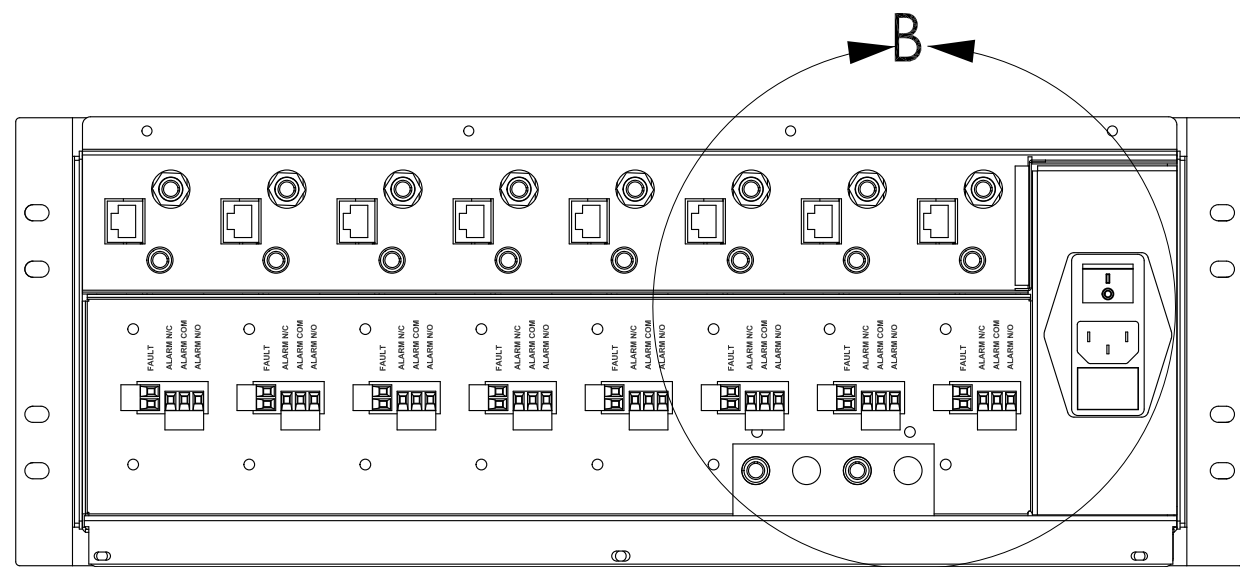
DETAIL A  
SCALE 2 : 3

**PROPRIETARY AND CONFIDENTIAL**  
THE INFORMATION CONTAINED IN THIS DRAWING IS THE SOLE PROPERTY OF FIBER SENSYS. ANY REPRODUCTION IN PART OR AS A WHOLE WITHOUT THE WRITTEN PERMISSION OF FIBER SENSYS IS PROHIBITED.

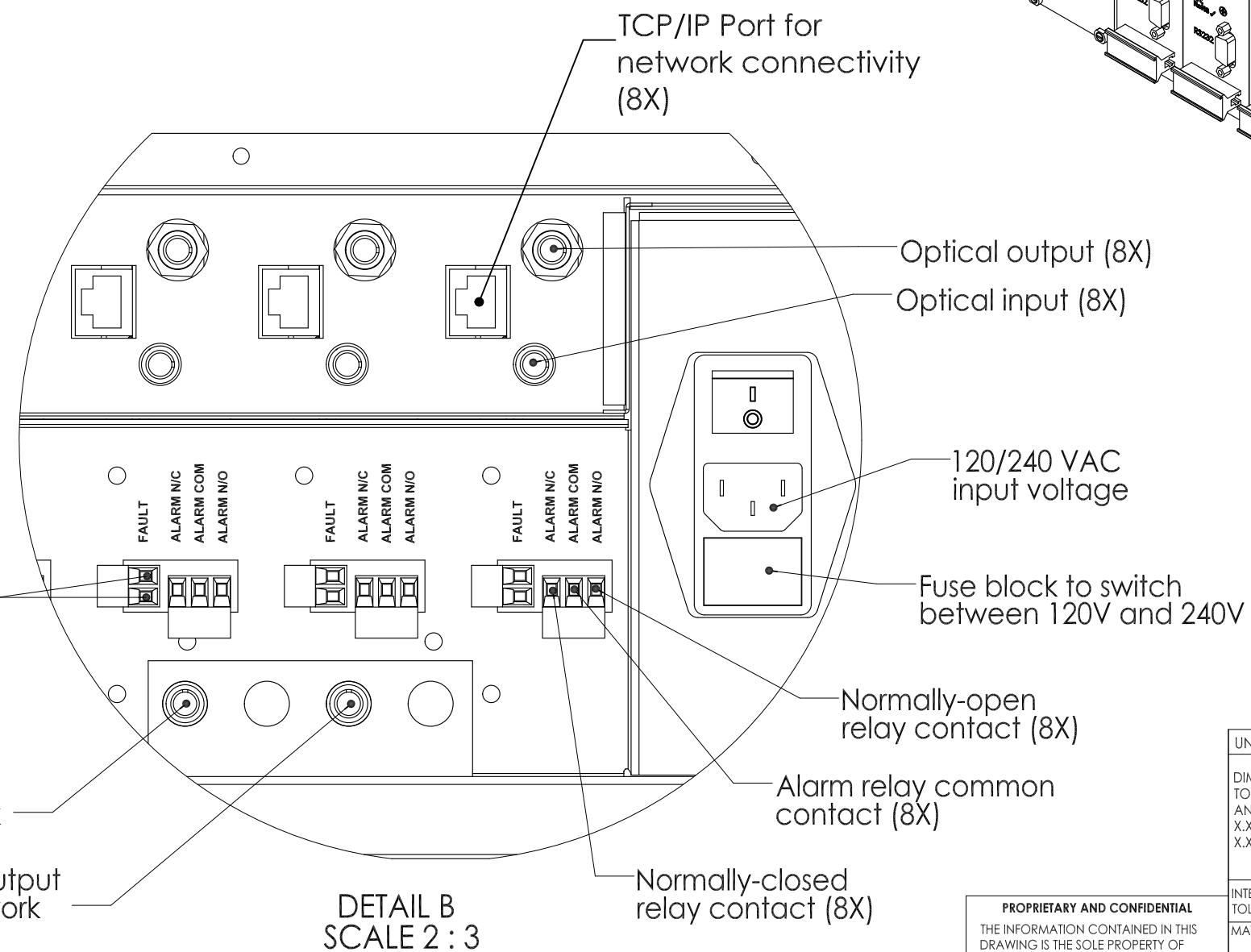
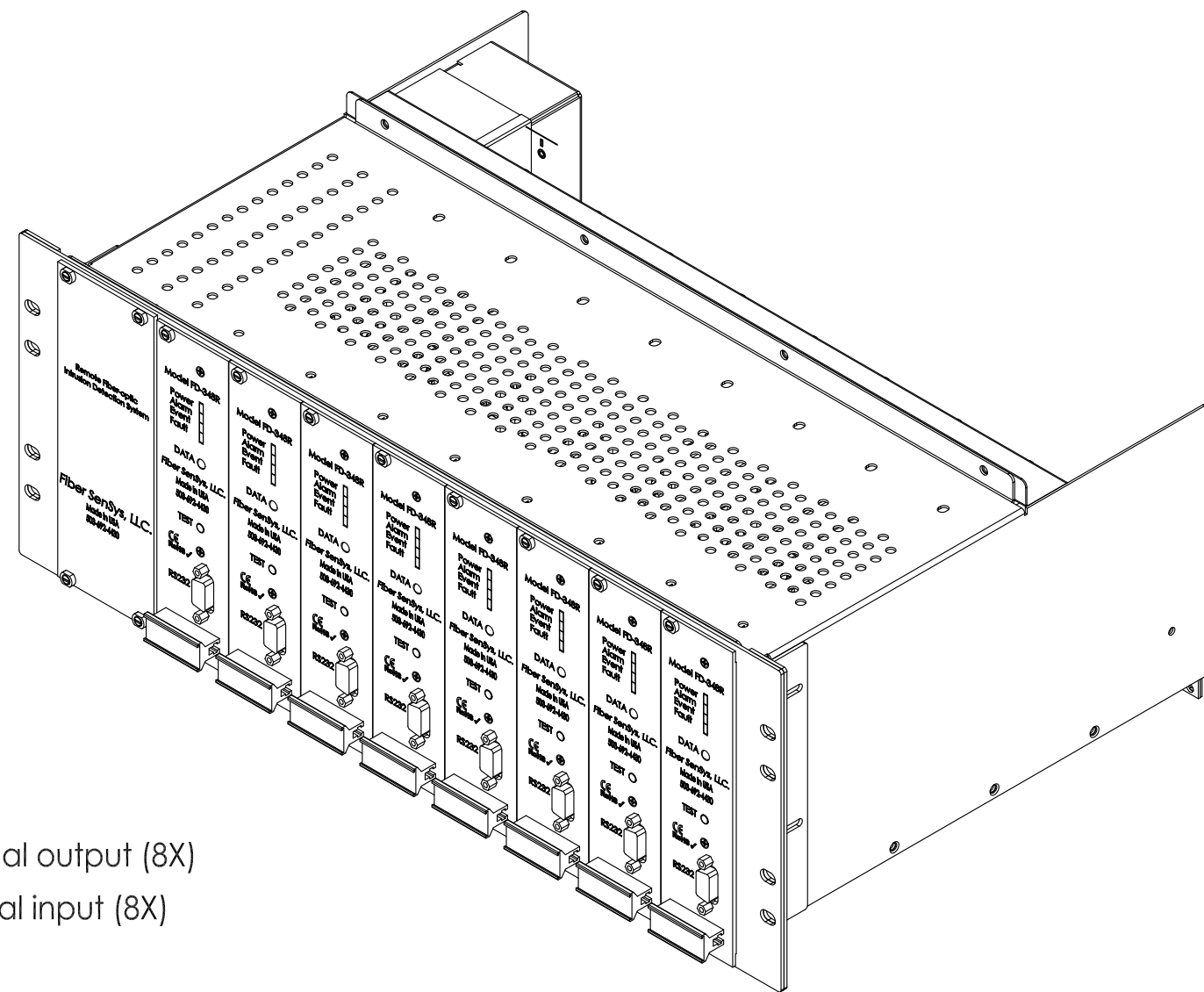
UNLESS OTHERWISE SPECIFIED:	NAME	DATE
DIMENSIONS ARE IN INCHES	DRAWN	S DOROW 10FEB10
TOLERANCES:	CHECKED	
ANGULAR: ± .5	ENG APPR.	
X.XX ± .010	MFG APPR.	
X.XXX ± .005	Q.A.	
INTERPRET GEOMETRIC TOLERANCING PER: Y14.5-1982	COMMENTS:	
MATERIAL		
FINISH		
DO NOT SCALE DRAWING		



TITLE: FD348R Rack Assembly Details		
SIZE <b>B</b>	DWG. NO. DW-ENG-010	REV <b>02</b>
SCALE: 1:3	WEIGHT:	SHEET 1 OF 2



REAR PANEL



DETAIL B  
SCALE 2 : 3

UNLESS OTHERWISE SPECIFIED:	NAME	DATE
DIMENSIONS ARE IN INCHES	DRAWN	S DOROW 10FEB10
TOLERANCES:	CHECKED	
ANGULAR: ± .5	ENG APPR.	
X.XX ± .010	MFG APPR.	
X.XXX ± .005	Q.A.	
INTERPRET GEOMETRIC TOLERANCING PER: Y14.5-1982	COMMENTS:	
MATERIAL		
FINISH		
DO NOT SCALE DRAWING		



TITLE:  
FD348R Rack Assembly  
Details

SIZE <b>B</b>	DWG. NO. DW-ENG-010	REV <b>02</b>
------------------	------------------------	------------------

SCALE: 1:3 WEIGHT: SHEET 2 OF 2

**PROPRIETARY AND CONFIDENTIAL**  
THE INFORMATION CONTAINED IN THIS DRAWING IS THE SOLE PROPERTY OF FIBER SENSYS. ANY REPRODUCTION IN PART OR AS A WHOLE WITHOUT THE WRITTEN PERMISSION OF FIBER SENSYS IS PROHIBITED.