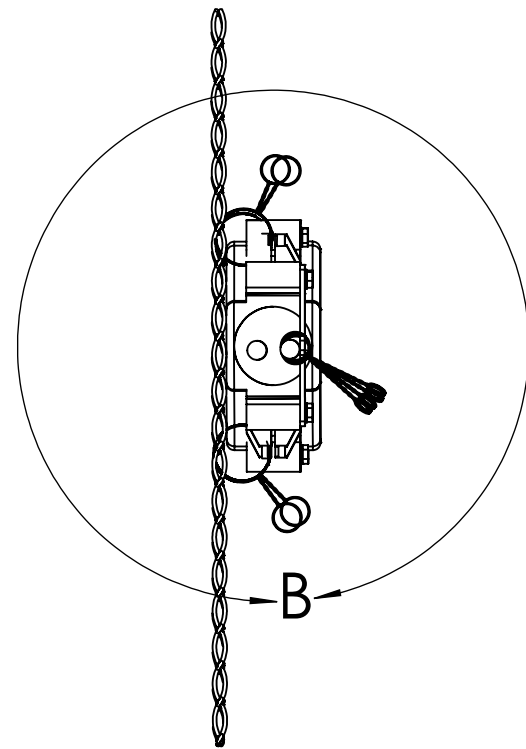


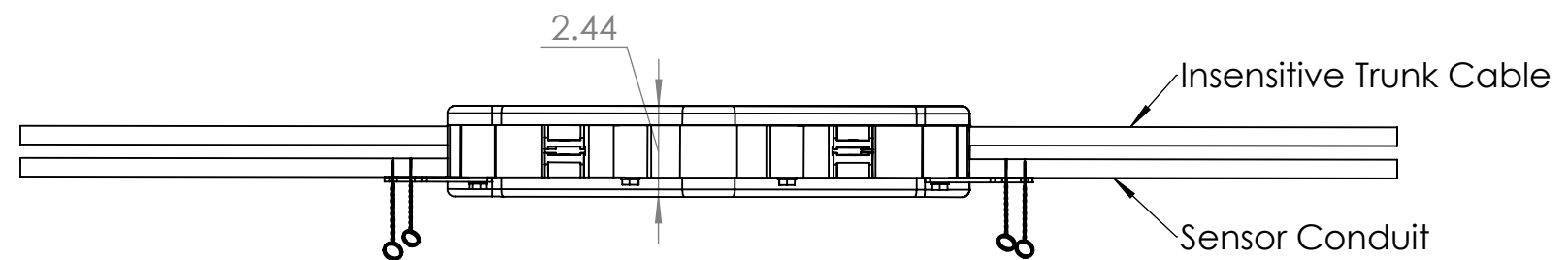
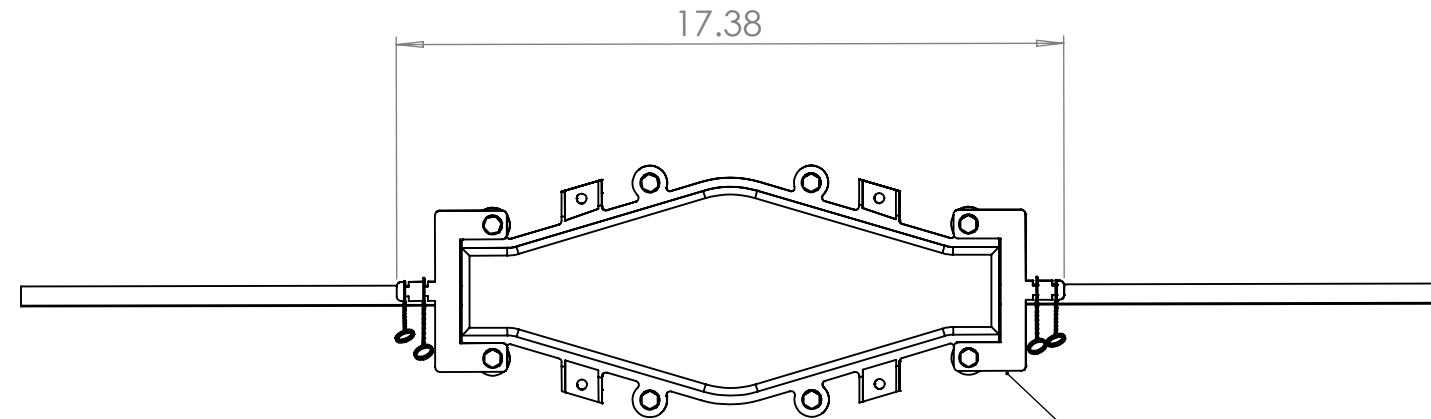
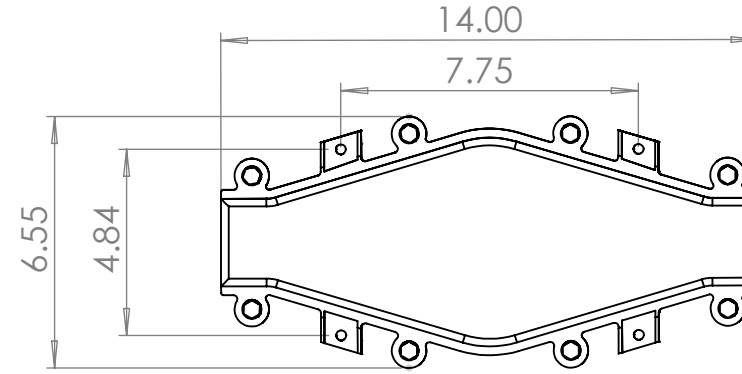
NOTES:

1. 2ZB-525 breakout box configuration shown. ZB-525 configuration contains only one sensor mounting bracket.
2. End-of-line terminators and miscellaneous hardware not shown.
3. Model shows completed breakout box with sensor and trunk cable installed.
4. HALO-ZB configuration does not contain sensor mounting brackets.



SEE SHEET TWO

REVISIONS				
REV.	DESCRIPTION	AUTHOR	DATE	APPROVED
01	Initial Release	T.Campbell	6/16/2015	MJY



Breakout Enclosure Specifications	
Exterior Dimensions	Height: 6.55 in (16.64 cm) Length: 14.00 in (35.54 cm) Width: 2.44 in (6.19 cm)
Industry Standards	ISO 9001 / 2000 manufacturing Compliance Modified Telcordia TR-NWT-000251
Operating Temperature	-40 degrees to +70 degrees centigrade (-40° to 158° F.)
Splicing Capacity	Supports up to 48 single-fusion splices.

UNLESS OTHERWISE SPECIFIED:
DIMENSIONS ARE IN INCHES
TOLERANCES:
ANGULAR ± 1 DEG
X.XX ± 0.010
X.XXX ± 0.005
DO NOT SCALE DRAWING

CONFIDENTIAL-LIMITED DISTRIBUTION



INTERPRET PER: ANSI Y14.5M
THIRD ANGLE PROJECTION

TITLE:
ZB/2ZB/ZB-HALO Enclosure

THE INFORMATION CONTAINED IN THIS DRAWING IS THE SOLE PROPERTY OF FIBER SENSYS INC. ANY REPRODUCTION IN PART OR AS A WHOLE WITHOUT THE WRITTEN PERMISSION OF FIBER SENSYS IS PROHIBITED.

SIZE B	DRAWING/PART NO. DW-ENG-045	REV 01
------------------	--------------------------------	------------------

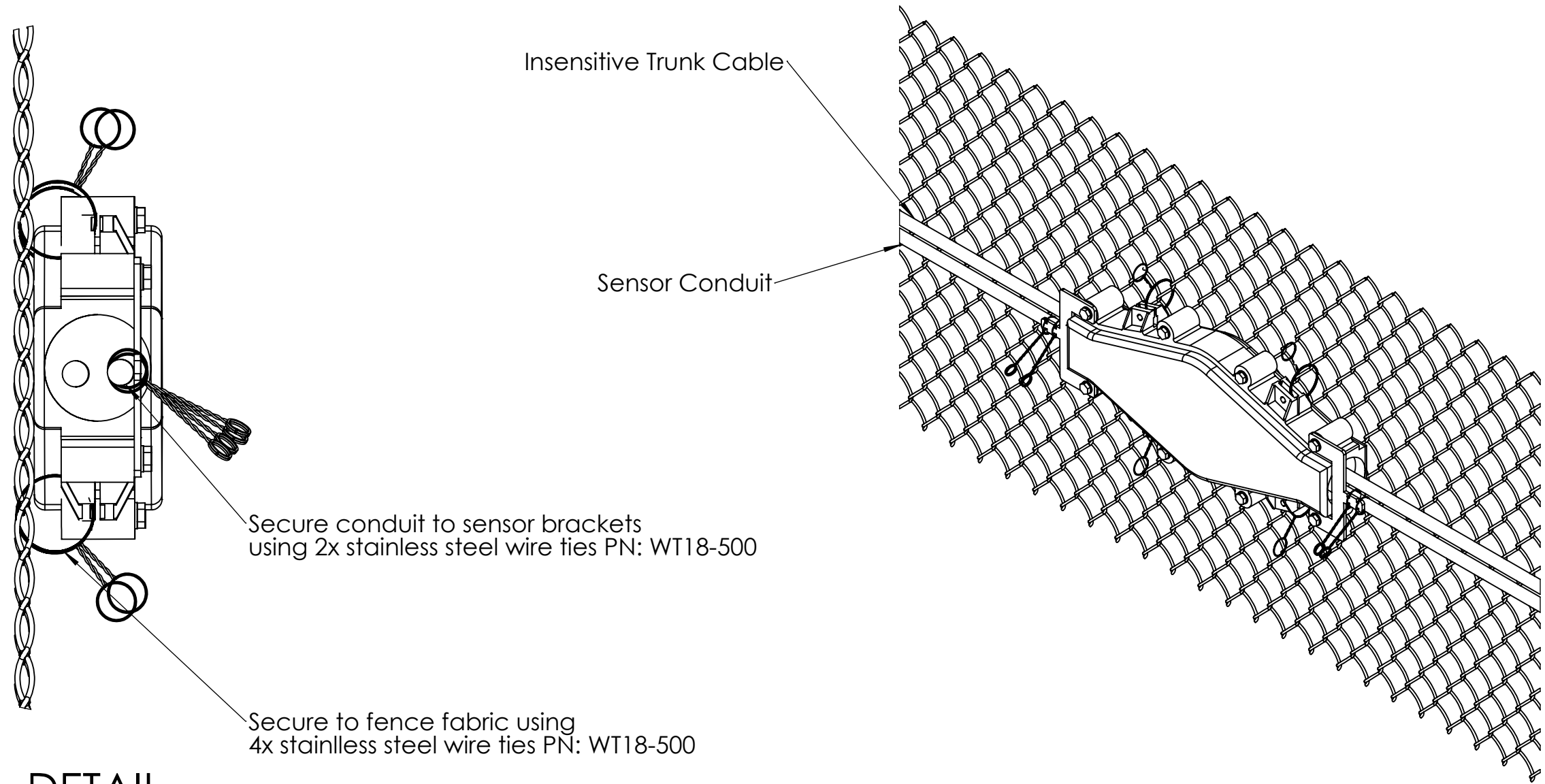
SCALE: 1:5 SHEET 1 OF 2

8 7 6 5 4 3 2 1

D
C
B
A

D
C
B
A

Typical Fence Installation



DETAIL B
SCALE 2 : 5

8 7 6 5 4 3 2 1

UNLESS OTHERWISE SPECIFIED: DIMENSIONS ARE IN INCHES TOLERANCES: ANGULAR ± 1 DEG X.XX ± 0.010 X.XXX ± 0.005 DO NOT SCALE DRAWING	CONFIDENTIAL-LIMITED DISTRIBUTION	
INTERPRET PER: ANSI Y14.5M THIRD ANGLE PROJECTION	TITLE: ZB/2ZB/ZB-HALO Enclosure	
THE INFORMATION CONTAINED IN THIS DRAWING IS THE SOLE PROPERTY OF FIBER SENSYS INC. ANY REPRODUCTION IN PART OR AS A WHOLE WITHOUT THE WRITTEN PERMISSION OF FIBER SENSYS IS PROHIBITED.	SIZE B	DRAWING/PART NO. DW-ENG-045
	SCALE: 1:5	REV 01
		SHEET 2 OF 2