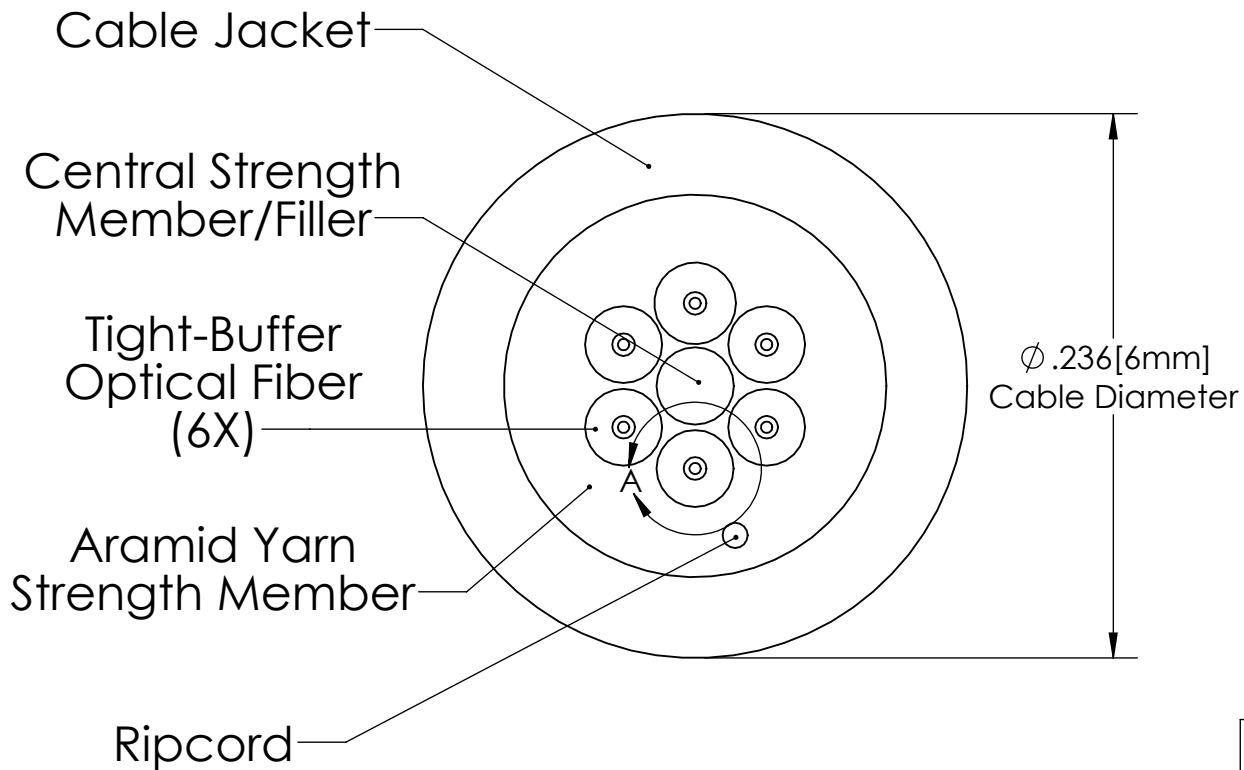
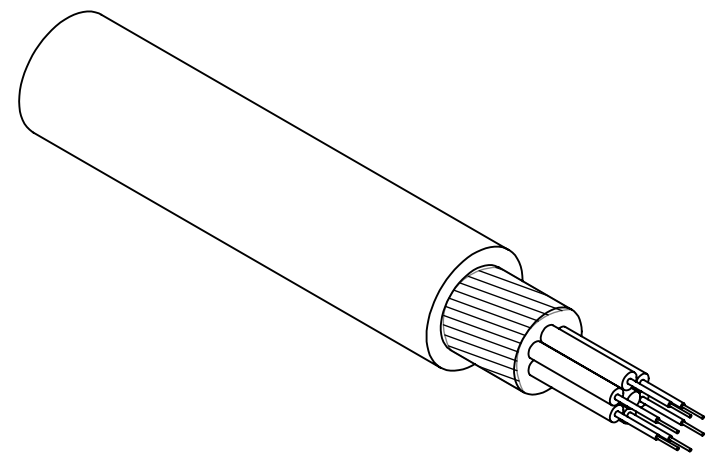


Cable Structure



REVISIONS				
REV.	DESCRIPTION	AUTHOR	DATE	APPROVED
A	Initial Release	M. Yurkoski	6-12-2014	A. Cechmanek
B	Minor changes and content corrections	M. Yurkoski	7-21-2015	A. Cechmanek



Isometric View Not to Scale

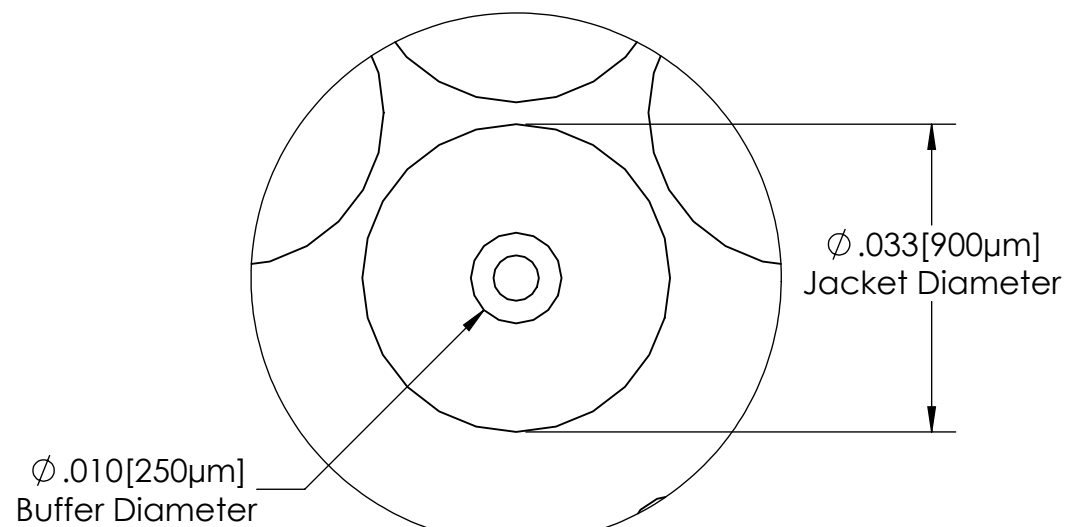
Cable Specifications

Cable Characteristics	
Jacket Color	Black
Jacket Material	Flame Retardant Material
Cable Weight	22 lbs/1000ft (32 kg/km)
Cable Diameter	0.236in (6.0mm)
Mechanical And Environmental	
Impact Resistance EIA/TIA-455-25A	200 Impacts
Crush Resistance TIA/EIA-455-41	39lb/in (440 N/cm)
Operating and Storage Temperature	-67°F to 185°F (-55°C to 85°C)
Installation and Operation	
Max Operating Tensile Load	130lbs (600N)
Max Installation Tensile Load	400lbs (1800N)
Min Operating Bend Radius	2.4in (6cm)
Direct Burial Rated	Yes

Fiber Details

Fiber Type	Jacket Color
Singlemode 9/125µm (Insensitive)	Blue
Singlemode 9/125µm (Insensitive)	Orange
Singlemode 9/125µm (Insensitive)	Green
Singlemode 9/125µm (Insensitive)	Brown
Singlemode 9/125µm (Insensitive)	Gray
Multimode 50/125µm (Sensing)	White

Individual Fiber Dimensions



DETAIL A
SCALE 48 : 1

UNLESS OTHERWISE SPECIFIED:
 DIMENSIONS ARE IN INCHES
 TOLERANCES:
 ANGULAR ± 1 DEG
 X.XX ± 0.010
 X.XXX ± 0.005
 DO NOT SCALE DRAWING

INTERPRET PER: ANSI Y14.5M
 THIRD ANGLE PROJECTION

THE INFORMATION CONTAINED IN THIS DRAWING IS THE SOLE PROPERTY OF FIBER SENSYS INC. ANY REPRODUCTION IN PART OR AS A WHOLE WITHOUT THE WRITTEN PERMISSION OF FIBER SENSYS IS PROHIBITED.

CONFIDENTIAL-LIMITED DISTRIBUTION

Fiber SenSys

TITLE: HALO Cable Diagram

SIZE **B** DRAWING/PART NO. DW-ENG-040 REV **B**

SCALE: 12:1 SHEET 1 OF 1