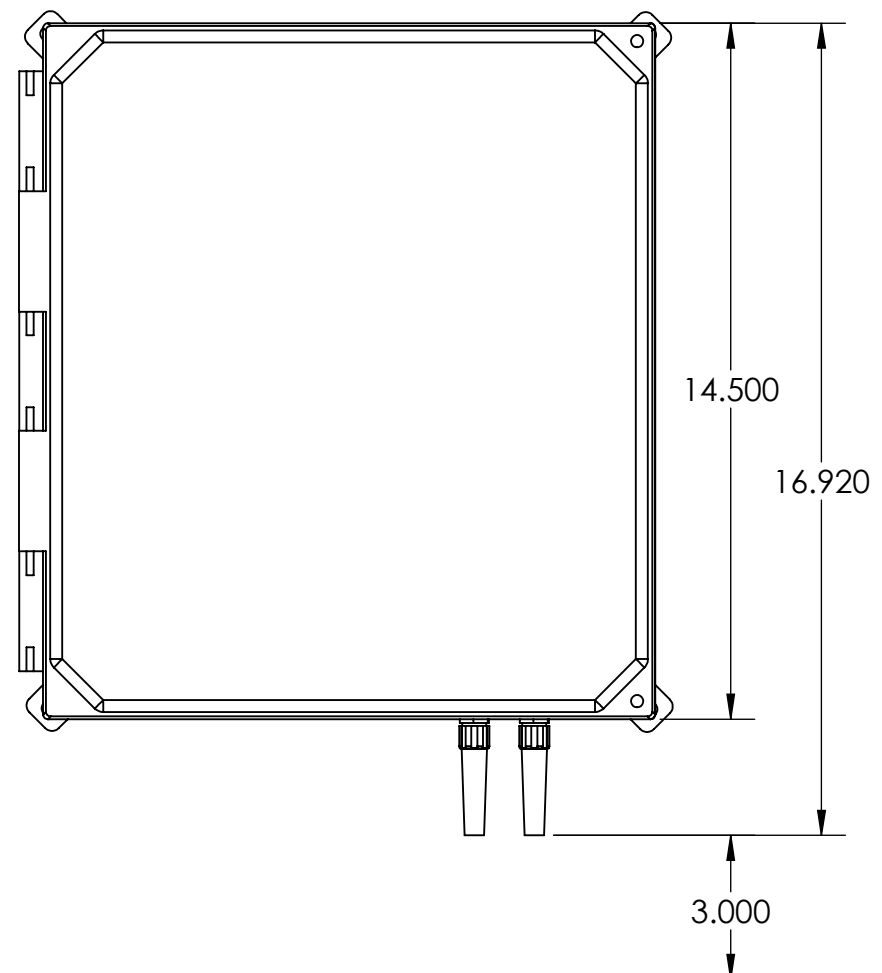
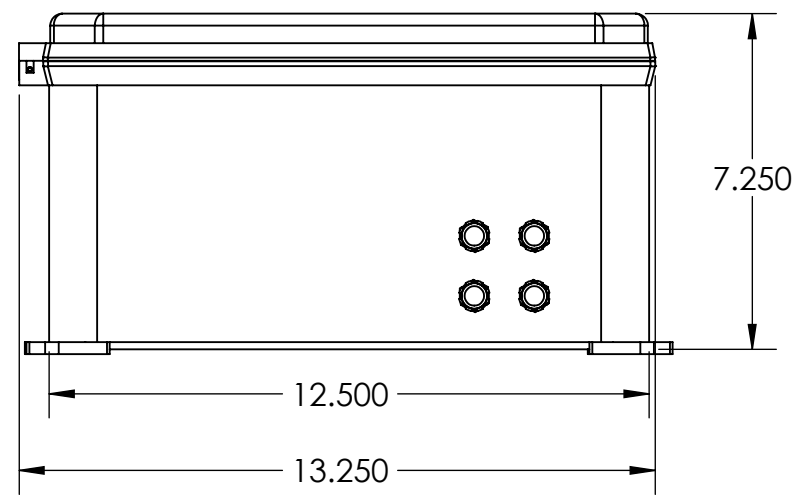
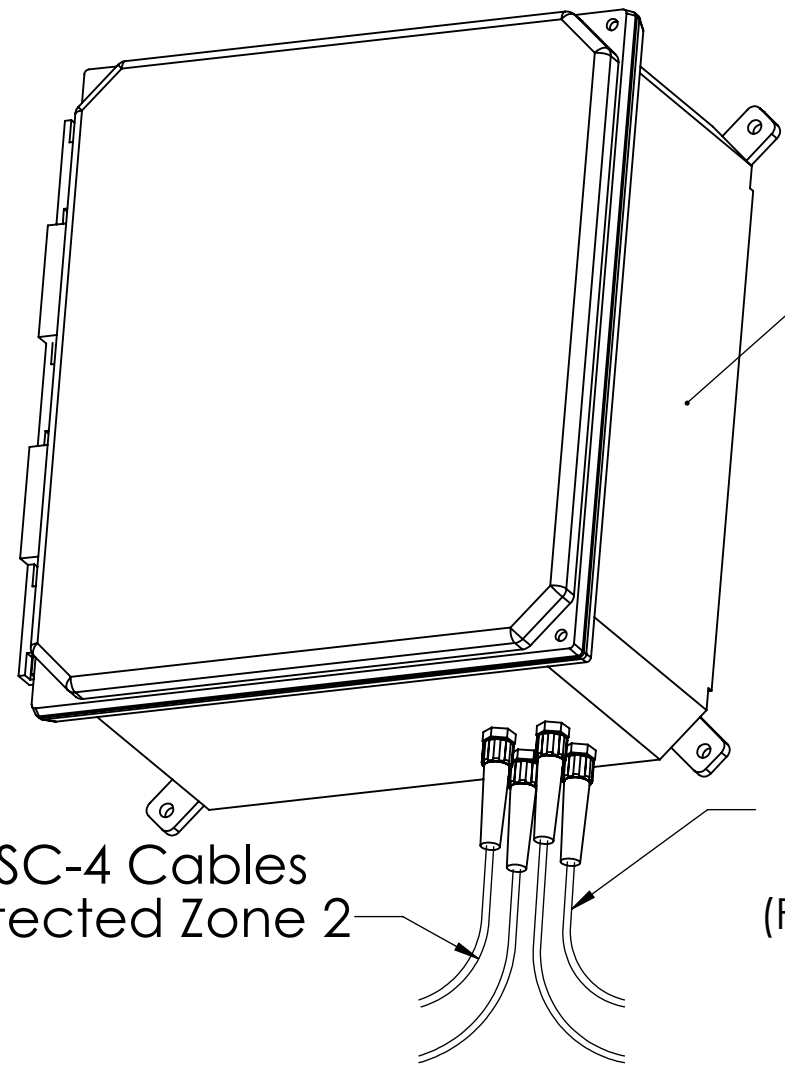


8 7 6 5 4 3 2 1

REVISIONS				
REV.	DESCRIPTION	AUTHOR	DATE	APPROVED
01	Initial Release	Michael Yurkoski	2-24-2014	A. Chekmanek
02	Updated for Rapid-Fiber terminology. Corrected typos and added mounting hardware details, depicted service loop inside	Michael Yurkoski	4-1-2014	J. Stelmack
03	Added Part #s for kits and accessories	Michael Yurkoski	7-21-2015	A. Cechmanek



Allow at least three inches for cable to prevent sharp bends

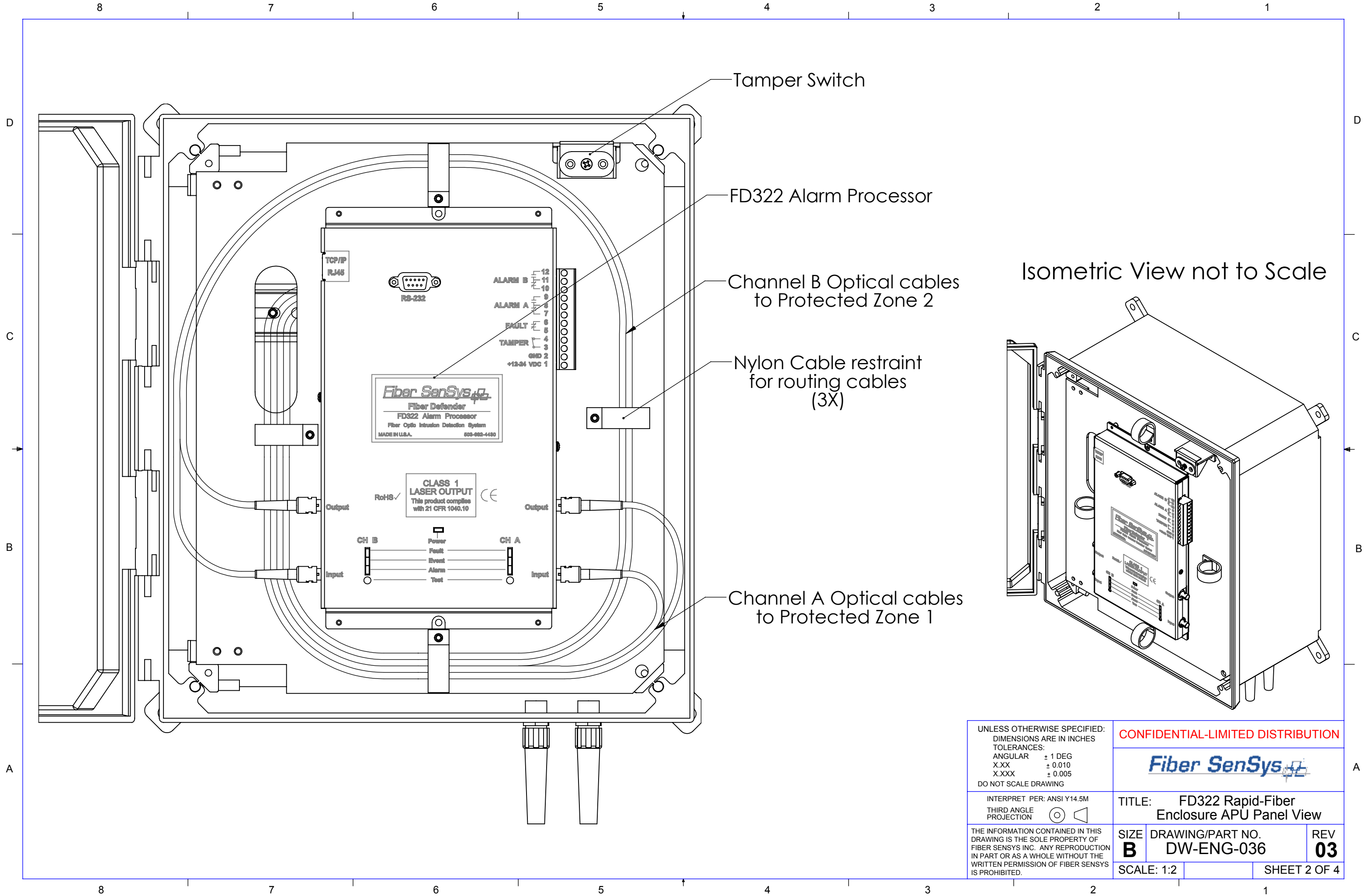


Note 1: Sensing cables available in pre-terminated lengths of:

- 250 meters (100mtr zones kit, P# 980-33622)
- 500 meters (200mtr zones kit, P# 980-43623)

UNLESS OTHERWISE SPECIFIED: DIMENSIONS ARE IN INCHES TOLERANCES: ANGULAR ± 1 DEG X.XX ± 0.010 X.XXX ± 0.005 DO NOT SCALE DRAWING		CONFIDENTIAL-LIMITED DISTRIBUTION	
INTERPRET PER: ANSI Y14.5M THIRD ANGLE PROJECTION		Fiber SenSys	
THE INFORMATION CONTAINED IN THIS DRAWING IS THE SOLE PROPERTY OF FIBER SENSYS INC. ANY REPRODUCTION IN PART OR AS A WHOLE WITHOUT THE WRITTEN PERMISSION OF FIBER SENSYS IS PROHIBITED.		TITLE: FD322 Rapid-Fiber Enclosure Details	
SIZE B	DRAWING/PART NO. DW-ENG-036	REV 03	
SCALE: 1:4		SHEET 1 OF 4	

8 7 6 5 4 3 2 1



UNLESS OTHERWISE SPECIFIED:
 DIMENSIONS ARE IN INCHES
 TOLERANCES:
 ANGULAR ± 1 DEG
 X.XX ± 0.010
 X.XXX ± 0.005
 DO NOT SCALE DRAWING

CONFIDENTIAL-LIMITED DISTRIBUTION



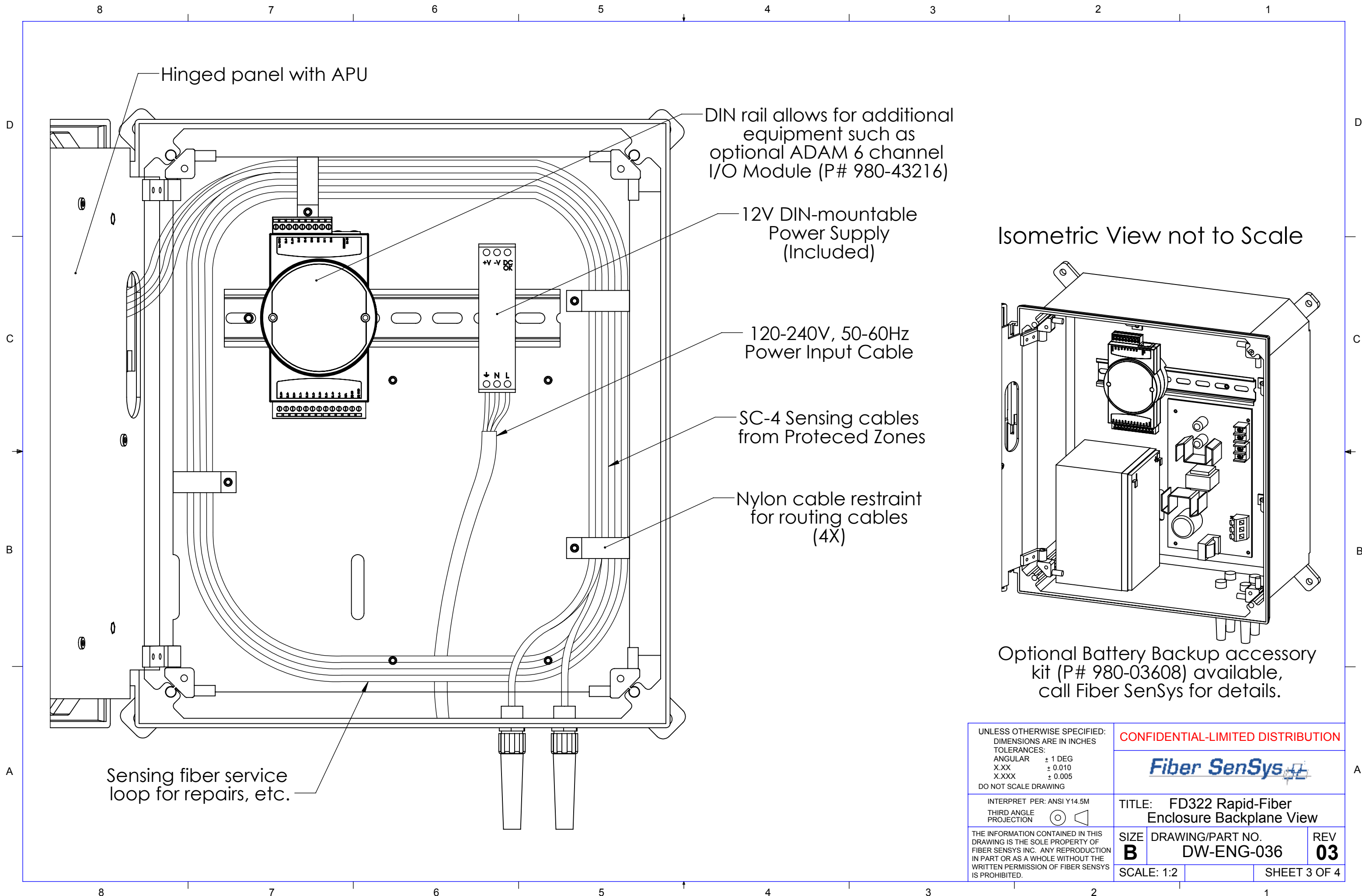
INTERPRET PER: ANSI Y14.5M
 THIRD ANGLE PROJECTION

TITLE: FD322 Rapid-Fiber Enclosure APU Panel View

THE INFORMATION CONTAINED IN THIS DRAWING IS THE SOLE PROPERTY OF FIBER SENSYS INC. ANY REPRODUCTION IN PART OR AS A WHOLE WITHOUT THE WRITTEN PERMISSION OF FIBER SENSYS IS PROHIBITED.

SIZE	DRAWING/PART NO.	REV
B	DW-ENG-036	03

SCALE: 1:2	SHEET 2 OF 4
------------	--------------



Hinged panel with APU

DIN rail allows for additional equipment such as optional ADAM 6 channel I/O Module (P# 980-43216)

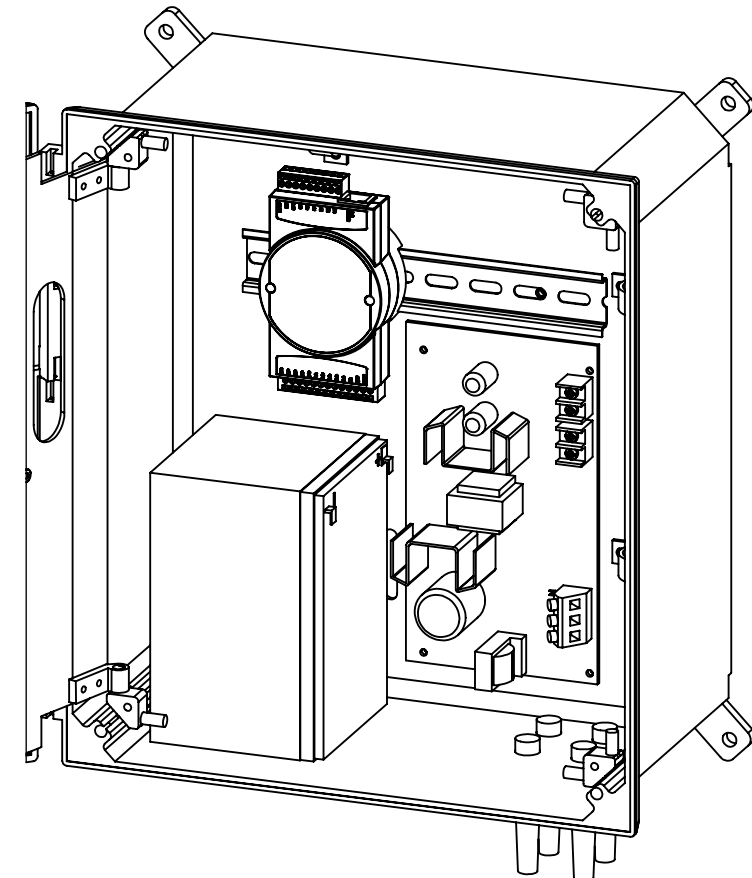
12V DIN-mountable Power Supply (Included)

120-240V, 50-60Hz Power Input Cable

SC-4 Sensing cables from Protected Zones

Nylon cable restraint for routing cables (4X)

Isometric View not to Scale

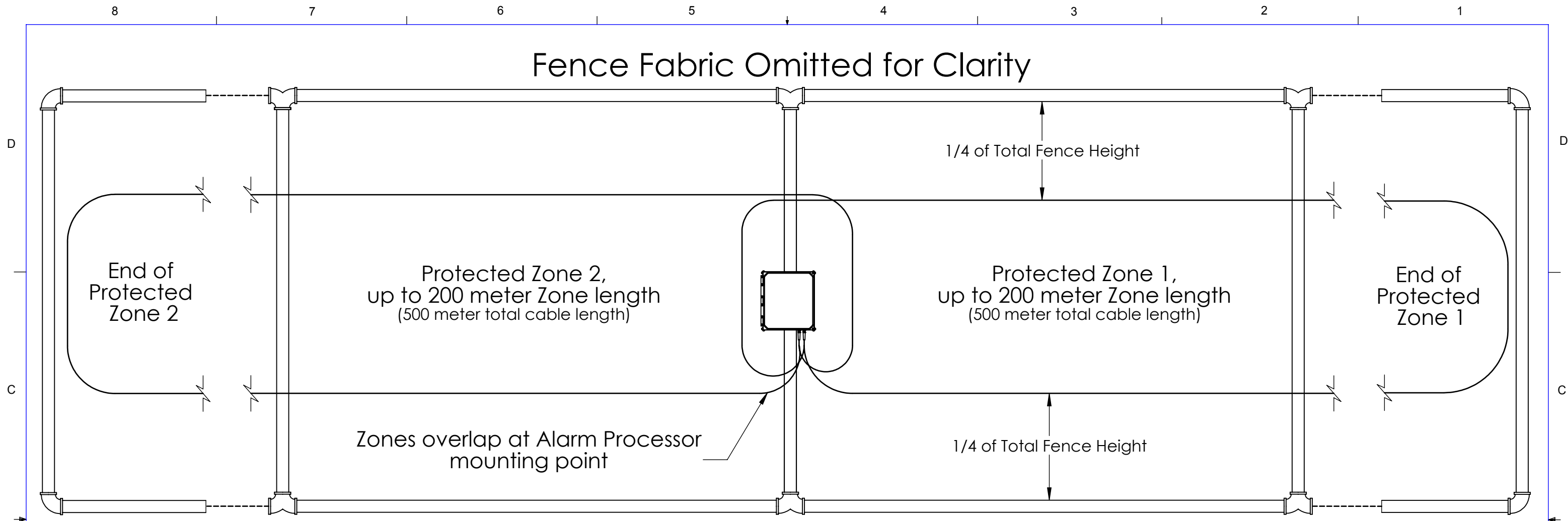


Optional Battery Backup accessory kit (P# 980-03608) available, call Fiber SenSys for details.

Sensing fiber service loop for repairs, etc.

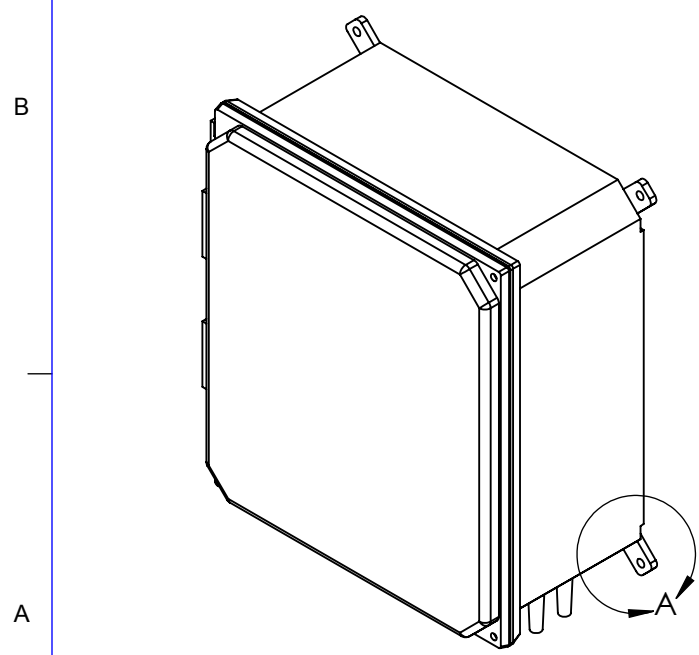
UNLESS OTHERWISE SPECIFIED: DIMENSIONS ARE IN INCHES TOLERANCES: ANGULAR ± 1 DEG X.XX ± 0.010 X.XXX ± 0.005 DO NOT SCALE DRAWING	CONFIDENTIAL-LIMITED DISTRIBUTION	
INTERPRET PER: ANSI Y14.5M THIRD ANGLE PROJECTION	TITLE: FD322 Rapid-Fiber Enclosure Backplane View	
THE INFORMATION CONTAINED IN THIS DRAWING IS THE SOLE PROPERTY OF FIBER SENSYS INC. ANY REPRODUCTION IN PART OR AS A WHOLE WITHOUT THE WRITTEN PERMISSION OF FIBER SENSYS IS PROHIBITED.	SIZE B	DRAWING/PART NO. DW-ENG-036
	SCALE: 1:2	REV 03 SHEET 3 OF 4

Fence Fabric Omitted for Clarity

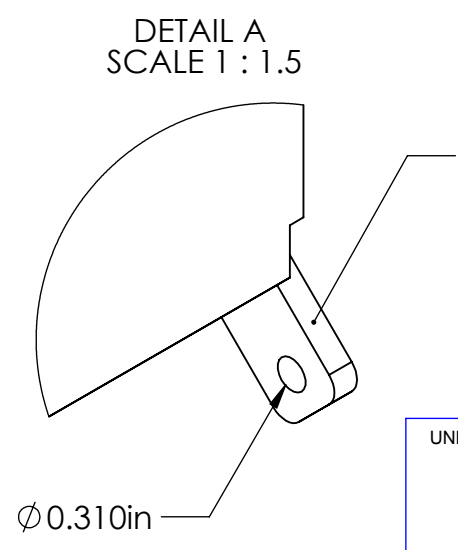
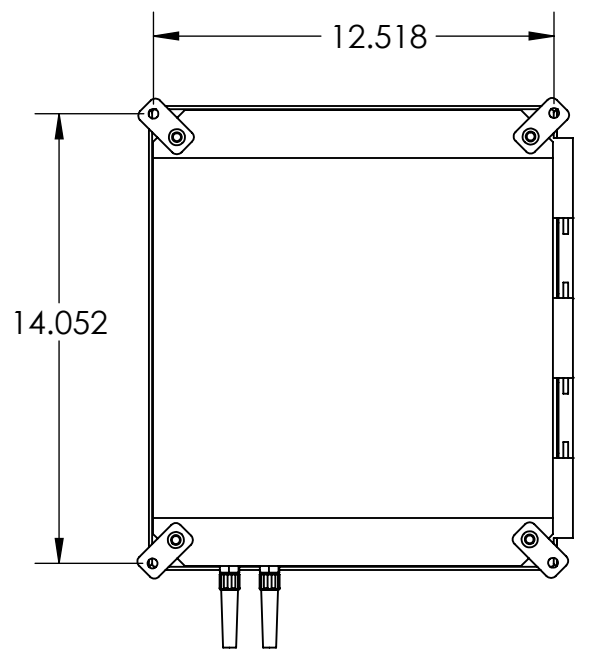


Note: Sensing cables are pre-connectorized and available in lengths of 500m (~200m zone) and 250m (~100m zone)

Isometric View not to Scale



Enclosure Supports many mounting options (Universal mounting feet included)



Mounting feet allow for mounting to many surfaces/structures

<small>UNLESS OTHERWISE SPECIFIED: DIMENSIONS ARE IN INCHES TOLERANCES: ANGULAR ± 1 DEG X.XX ± 0.010 X.XXX ± 0.005 DO NOT SCALE DRAWING</small>	CONFIDENTIAL-LIMITED DISTRIBUTION		
	Fiber SenSys		
<small>INTERPRET PER: ANSI Y14.5M THIRD ANGLE PROJECTION</small>	TITLE: FD322 Rapid-Fiber Kit Fence Deployment		
<small>THE INFORMATION CONTAINED IN THIS DRAWING IS THE SOLE PROPERTY OF FIBER SENSYS INC. ANY REPRODUCTION IN PART OR AS A WHOLE WITHOUT THE WRITTEN PERMISSION OF FIBER SENSYS IS PROHIBITED.</small>	SIZE B	DRAWING/PART NO. DW-ENG-036	REV 03
	SCALE: 1:24		SHEET 4 OF 4