

FD34x Fiber-Optic Intrusion Detection System

Proven Reliability in Remote Perimeter Security

Fiber SenSys' FD34X series Fiber Optic Intrusion Detection System offers high performance intrusion detection with modern features and communication options.



Remote Sensor Deployment

Designed for remote deployment with no power or communications needed in the field, the indoor and outdoor rated Fiber Defender™ Model **FD341/FD342** Alarm Processing Unit (APU) utilizes insensitive fiber-optic cable in addition to sensing fiber. The use of insensitive lead-in cable allows the APU to be located up to 20 kilometers away from the protected zone. Movement or vibration in the physical environment causes the sensing fiber to report back to the APU that there is a disturbance.

- Single or dual-channel APU (FD341 FD342)
- One or two detection zones, up to 5 kilometers in length
- Optional IP/XML communications

Dual Zone Coverage

The **FD34x** provides both single channel (**FD341**) or independent dual-channel (**FD342**) operation, and users can connect sensor cable from two separate deployment locations. Dual-channel capability reduces the **FD342** overall system cost and power consumption. Independent zone control allows for maximum versatility, such as a wall and a fence protection zone combination. The **FD34x** also provides intrusion detection system control with communication options that include IP/XML capability.

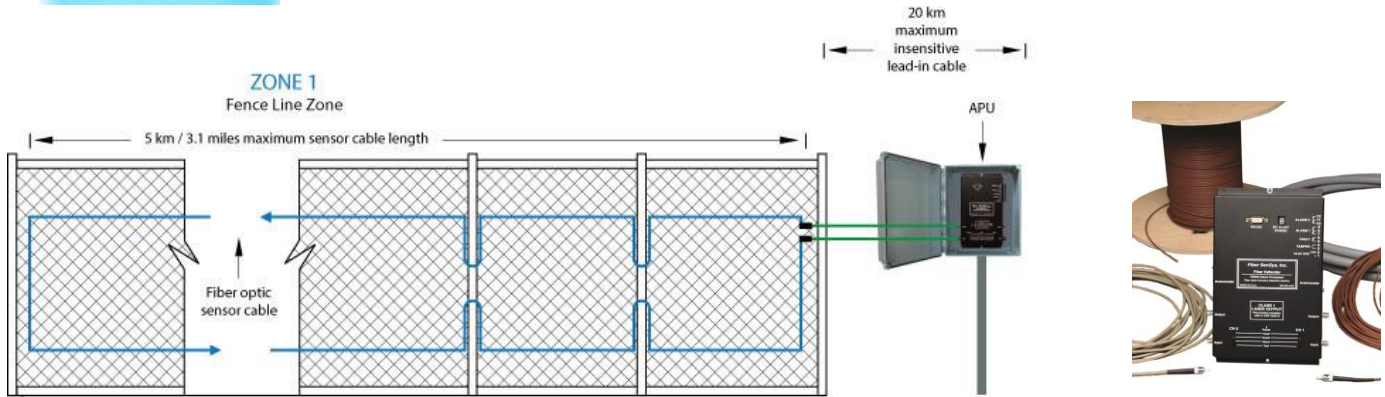
Proven Reliability

The **FD34x** series Digital Signal Processor (DSP) and electronics provides users an intrusion detection system that is immune to the effects of EMI, lightning, magnetic fields and radio frequency transmissions. Enhanced DSP capabilities filter out sensor cable signals from non-threat events such as wind, weather and small animals. Made in the U.S.A., the **FD34x** guarantees system performance and high reliability for perimeter security.

- Real-time anemometer for wind compensation
- Sensor cable immune to EMI, RFI, lightning
- Completely inert and intrinsically safe sensor
- Simple, flexible deployment



The **Model FD342** is uniquely suited to monitor and protect two zones from a single alarm processing unit. Dual zone protection can include both a fence and/or wall zone. Each of the **FD342's** channels is calibrated independently to set optimal detection sensitivity levels. Each channel provides zone coverage up to five kilometers with individual settings to ensure that the **FD342** screens out sensor signals from non-threatening events, like wind, while focusing on genuine intrusion events. The use of insensitive lead-in cable allows the APU to be located up to 20 kilometers away from the protected zone.



CLASS 1 LASER OUTPUT
This product complies with 21 CFR 1040.10



FD34X Technical Specifications

Parameter	Specification
Application	Perimeter fence or wall application
Sensor	Passive, optical fiber; resistant to EMI, RFI and corrosion
Installation	Sensing fiber in conduit; conduit attached to fence with stainless steel wire ties
Number of zones per APU	FD341 (Single-channel – 1 zone) or FD342 (Dual-channel – 2 zones)
Maximum sensing cable per zone	5 Kilometers (3.1 miles/16,400 ft.)
Maximum insensitive lead-in cable per zone	20 Kilometers (12.43 miles / 65,616.7 ft.)
APU electrical power	Input voltage: 12-24 volts / Power: 3 Watts @ 12 to 24 VDC
Communications	RS-232 serial communications, IP/XML communications
APU Memory	Stores data from up to 24 alarms
Tuning parameters	<ul style="list-style-type: none"> Sensitivity (for cuts and climbing) Number of events before alarming (for cuts and climbing) Wind rejection Tamper (enable/disable)

For more information, contact us at
info@fibersensys.com
 Tel: +1(503)692-4430
 Toll free (US) +1(888)736-7971

Fiber SenSys
 High Performance – High Reliability – High Security