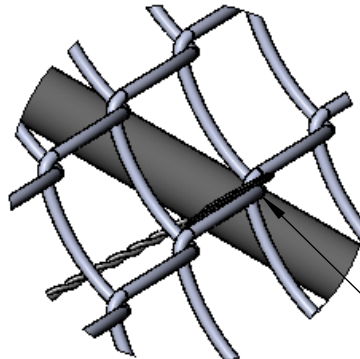
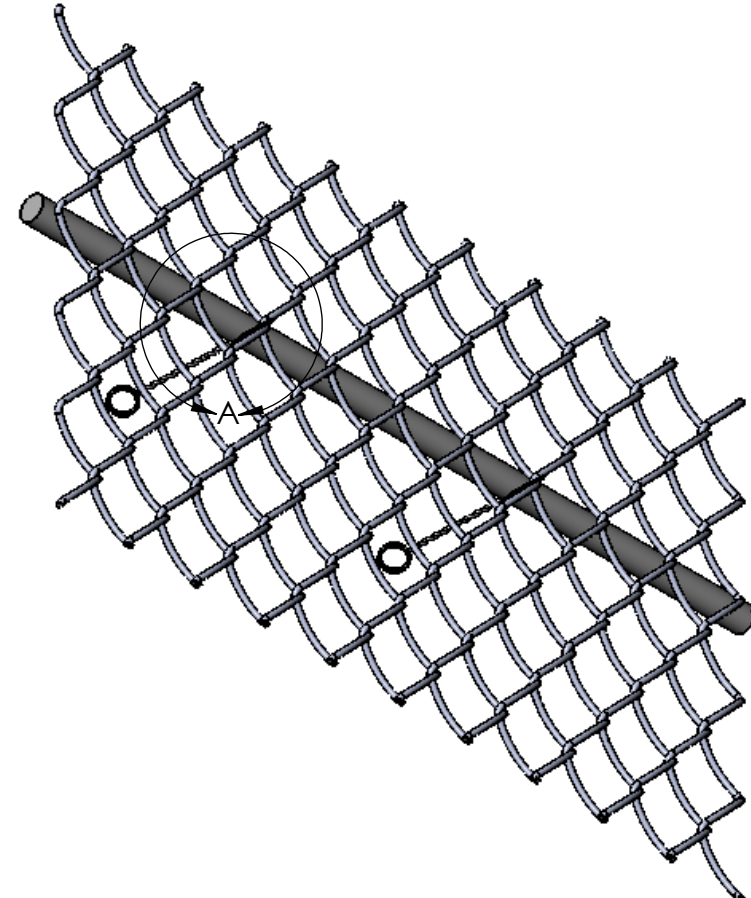


Wire Tie Placement

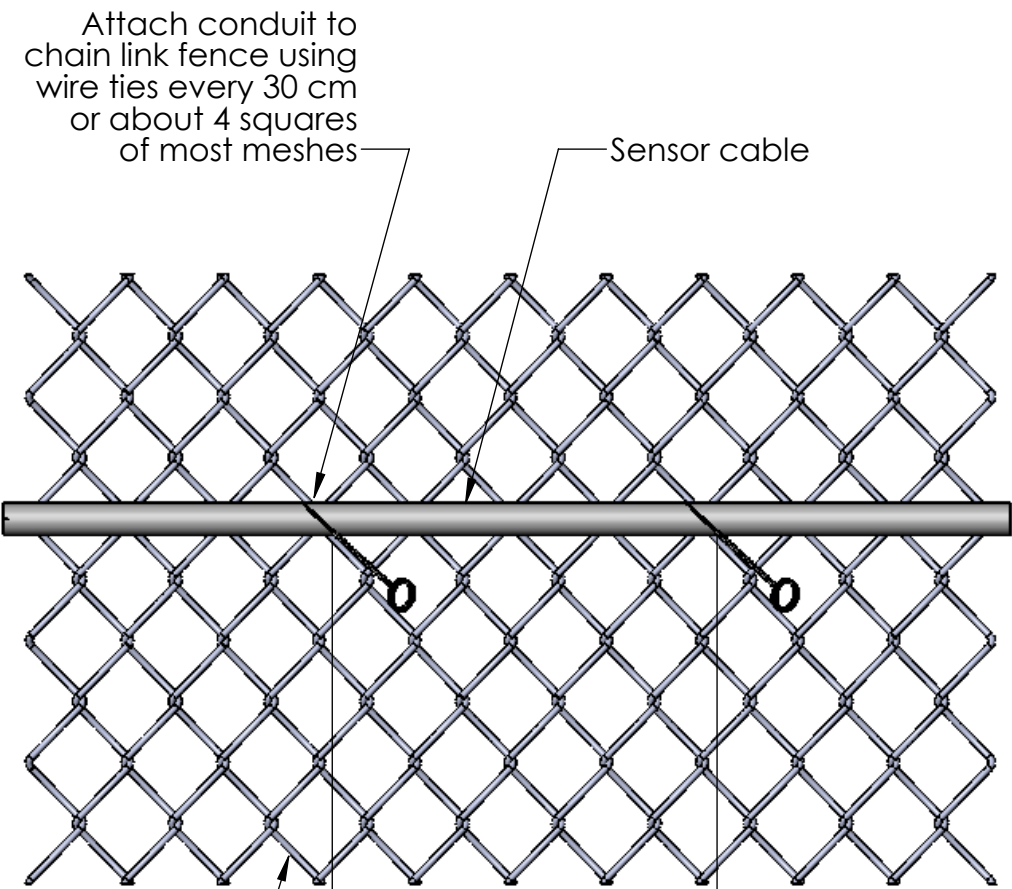
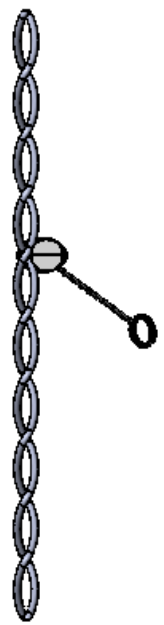


Secure wire tie on the joint or intersection between links of mesh to prevent movement and to minimize susceptibility to tampering

DETAIL A
SCALE 2 : 3



Typical sensor cable installation on a standard chain link fence.
Sensor consists of fiber optic sensing cable in flexible conduit, attached to the fence fabric using stainless steel wire ties with a minimum spacing of 12 inches.



Attach conduit to chain link fence using wire ties every 30 cm or about 4 squares of most meshes

Sensor cable

Chain link fence

30 cm (Approx 12") Wire Tie placement

UNLESS OTHERWISE SPECIFIED:
DIMENSIONS ARE IN INCHES
TOLERANCES:
ANGULAR ± 1 DEG
X.XX ± 0.010
X.XXX ± 0.005
DO NOT SCALE DRAWING

CONFIDENTIAL-FSI ONLY



INTERPRET PER: ANSI Y14.5M
THIRD ANGLE PROJECTION

TITLE: Wire Tie Placement

THE INFORMATION CONTAINED IN THIS DRAWING IS THE SOLE PROPERTY OF FIBER SENSYS INC. ANY REPRODUCTION IN PART OR AS A WHOLE WITHOUT THE WRITTEN PERMISSION OF FIBER SENSYS IS PROHIBITED.

SIZE B	DRAWING/PART NO. DW-SM-010	REV A
------------------	-------------------------------	-----------------

SCALE: 1:8 SHEET 1 OF 1