

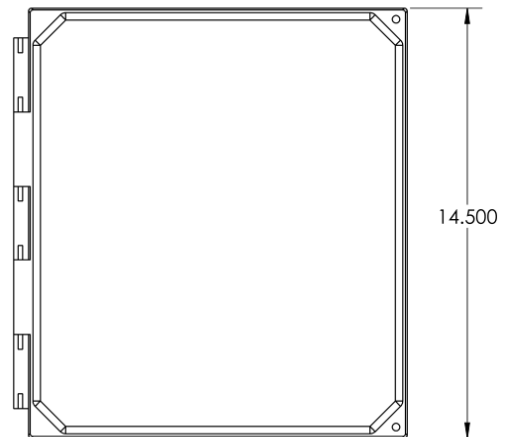
Fiber Defender® 300 Series Outdoor Enclosure

Specification Sheet

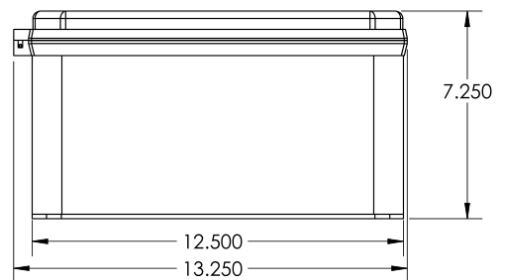
The Fiber SenSys® **Outdoor Enclosure** offers field deployment of our FD322, FD331/2 and FD341/2 Alarm Processing Units (APU). Included with this robust outdoor enclosure is a DIN rail-mounted power supply and tamper switch. This enclosure includes a backplane that is engineered with threaded mounting holes for the APU and a cable management system to ensure fast, professional installation.



Front View



Side View



FEATURES

- Outdoor-rated enclosure
- Custom 300 Series APU mounting panel
- Power supply with international input
- Cable management components
- Tamper switch
- 35mm DIN rail



ENCLOSURE SPECIFICATIONS

- Polycarbonate construction
- NEMA 4X and IP66 rated
- Dimensions: 14" x 12" x 6" (352mm X 307mm X 151mm)
- UV Resistant
- Versatile mounting tabs

POWER SUPPLY SPECIFICATIONS

- DIN rail-mounted
- Input range – 85VAC to 264VAC, or 120VDC to 370VDC
- Output of 12VDC, 10 Watt (0.84 Amp) maximum
- Operating temperature: -20°C to +70°C
- Optional battery backup available

For more information, contact us at:
info@fibersensys.com
 Tel: +1(503) 692-4430
 Toll free (US) +1(800) 641-8150



High Performance – High Reliability – High Security