

Laser Defender LD308SH™

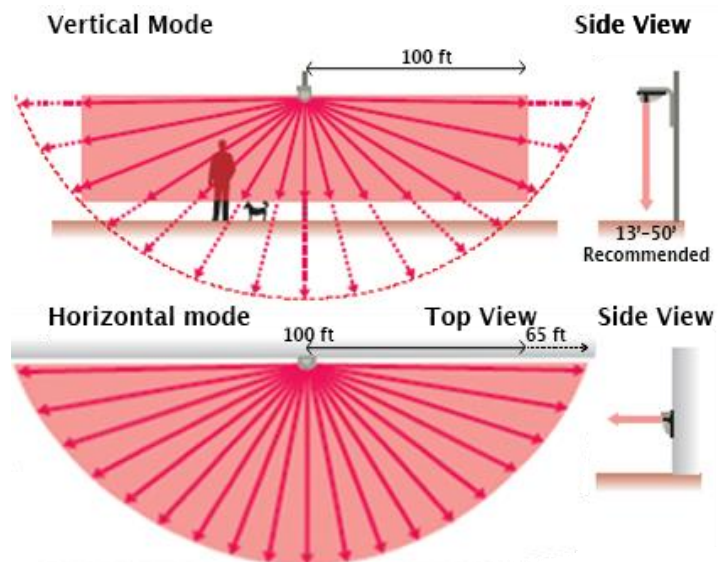
Intrusion Detection Laser Scanner



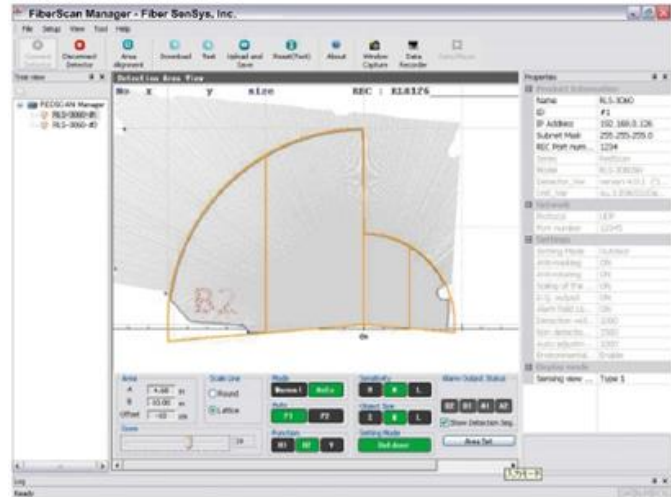
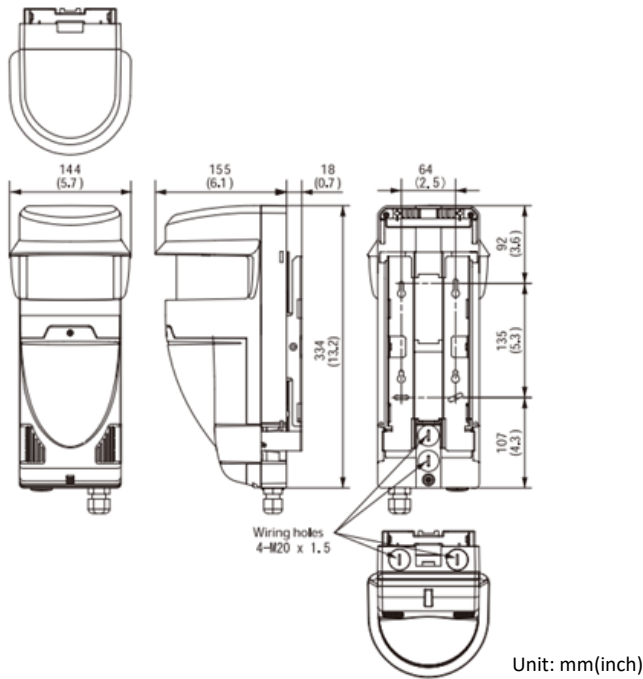
The Laser Defender LD308SH is an innovative laser scan detector that can detect a moving object's size, speed, and distance from the detector and process that information with a unique algorithm. This results in a high-reliability detection of people with minimal false alarms. The detector can also be mounted vertically or horizontally according to the application and site conditions. When vertical detection area is selected, the LD308SH creates a 200ft. wide detection area that functions like an invisible wall. With four outputs for remote video applications and eight independently adjustable detection areas and event codes, the LD308SH is the ideal detector for controlling PTZ cameras and is integrated with leading VMS platforms. When horizontal detection area is selected, the LD308SH creates a detection area with a radius of 100 ft. (detecting an object of minimum width 12 in.) to a max of 165 ft. (minimum width of 24 in.) and an arc of 190°. The detection area can be set manually or automatically. If the automatic setting is used, the detector will set the proper detection area; even for complicated area shapes. Laser Defender LD308SH is a sophisticated next-generation indoor detector that streamlines video monitoring and reduces installation costs.

Features

Relay or IP
Identifies the size, speed and distance of a moving object
165 ft. radius for 190° range (horizontal mounting)
Mounted at 13 - 100 ft. high creates a virtual wall 60 - 100 ft. radius wide (Minimum height of 13 - 50 ft. recommended for crawl detection.)
Automatic area setting function
Eight (8) independently adjustable detection areas and event codes for network recorder and Video Management Software (VMS)
Fog cancellation algorithm
Scene selection (indoor, ceiling/wall protection, and vehicle)



LD308SH DIAGRAM



LD308SH PRODUCT SPECIFICATIONS

Detection Method	Infrared Laser Scan
Laser Protection Class	Class 1
Vertical Area Coverage	Max. Radius Approx. 100 ft. (30 m.) at 10% reflectivity
Horizontal Area Coverage	Radius: Approx. 165 ft. (50 m), Arc: 190° at 10% reflectivity
Detection Resolution	0.25°
Communication Port	Ethernet, RJ-45, 10 BASE-T/100 BASE-TX
Protocol	UDP, TCP/IP
Power Input	24 VDC, 24 VAC
Current Draw	400 mA max. (24 VDC) 600 mA max (24 VAC)
Vertical Mounting Height	Max. 30 m (100 ft.) based on width required. 13' – 50' recommended
Horizontal Mounting Height	0.7m (28 in.) (recommended)
Target Object Selector	S/M/L (Small / Medium / Large)
Sensitivity Selector	H/M/L (High / Medium / Low)
Cameral Control Output	N.O. 28 VDC, 0.2 A x 4 outputs
Master Alarm Output and Trouble Output	Form C, 28 VDC, 0.2 A max.
Tamper Output	N.C. 28 VDC, 0.1 A max
Environmental Disqualification Circuit	Form C, 28 VDC, 0.2 A max.
Alarm Period	Approx. 2 sec., off delay timer
Operating Temperature	-20 to 60 °C (-4 to 140° F)
IP Rating	IP66
Dimensions (H x W x D)	334 x 144 x 155 mm (13.2 x 5.7 x 6.1 in.)
Weight	2.4 kg (85 oz.)

For more information, contact us at:
info@fibersensys.com
 Tel: +1(503)692-4430
 Toll free (US) +1(888)736-7971
www.fibersensys.com

Fiber SenSys 

High Performance – High Reliability – High Security